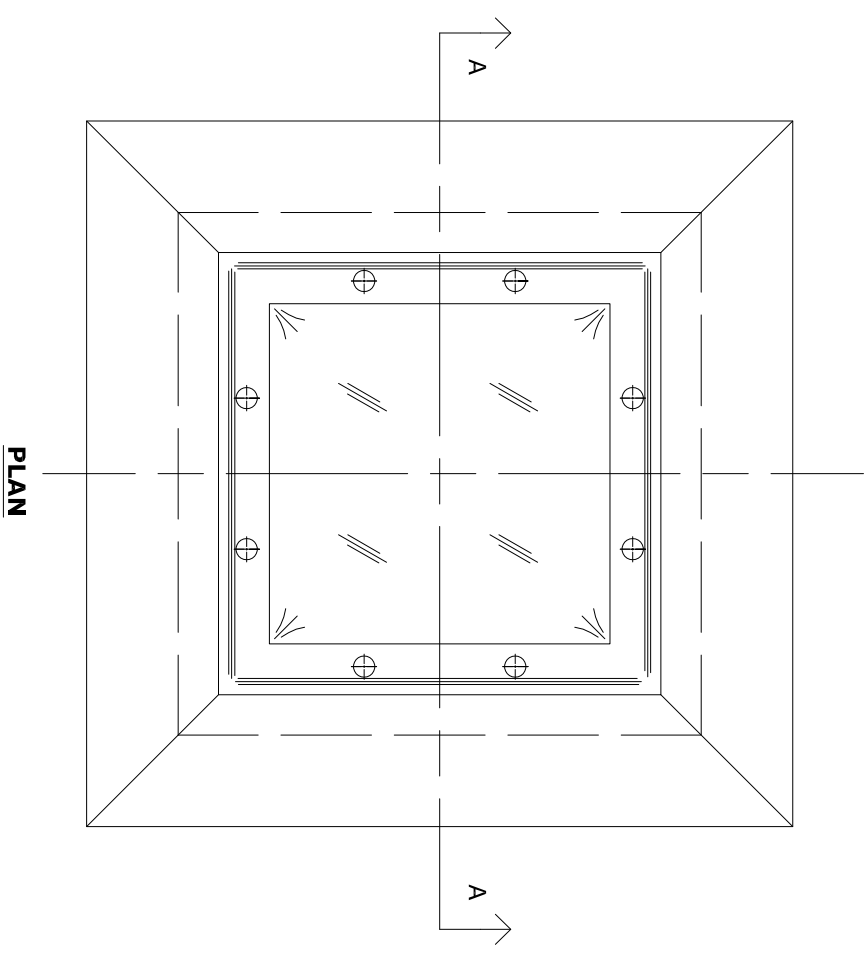


SECTION A-A



Parts List	
1	FLANGED GLAZING ASSEMBLY
2	UPSTAND ASSEMBLY

CRH House

Unit 1
 Prothero Industrial Estate
 Bilport Lane
 Wednesbury
 West Midlands
 WS10 0NT
 Tel: 0121 530 4230
 Web: www.jet-cox.co.uk



Rev	Date	By	Modification

Revision Details

A4

- 1. All dimensions in mm.
- 2. Do not scale.
- 3. This drawing is not to be reproduced wholly or in part, without written consent from Jet Cox Ltd/Coxdome

Title: Trade Range Fixed Rooflight on 300mm Upstand			
Tolerance: -	Scale: NTS	Date: 1/12/16	Rev: -
Material: NTS	Dm/Ckd By: RL	Drawing No: 011/0003	
Sheet No: 1 of 1			