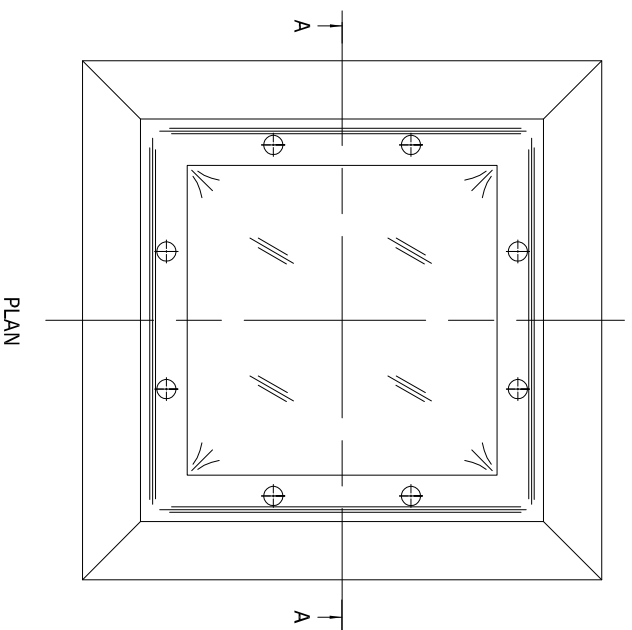
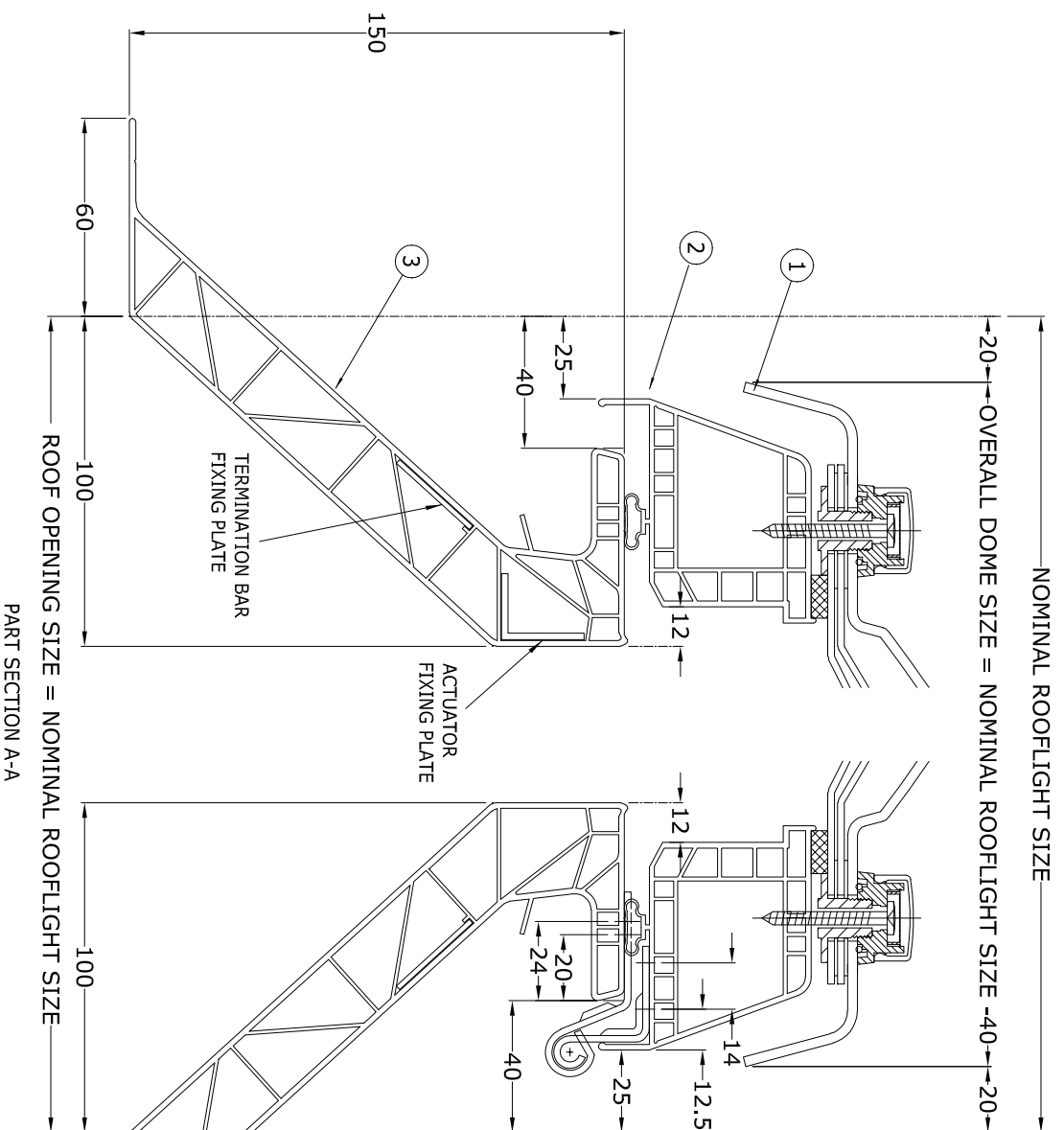


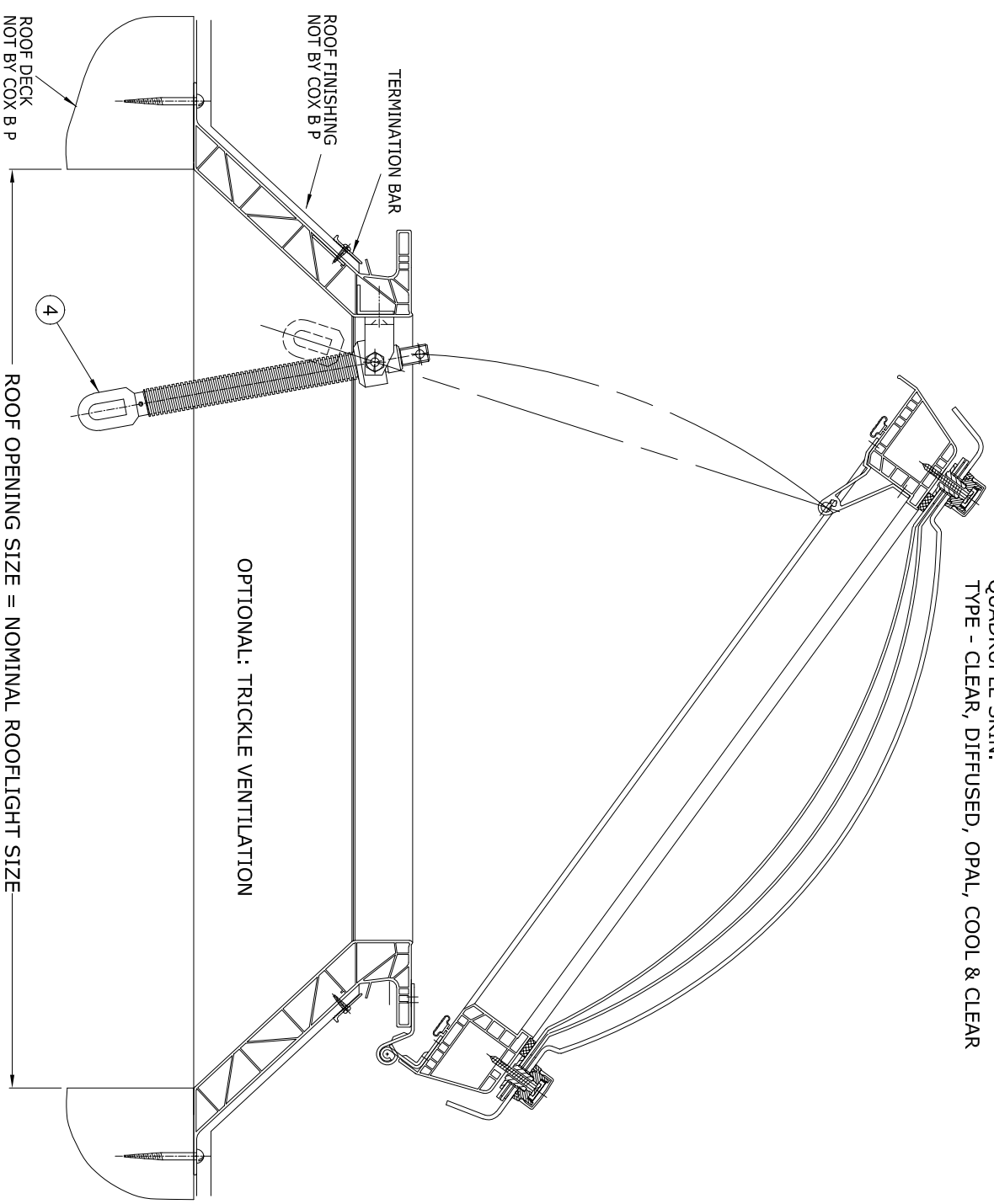
POLYCARBONATE DOMES AVAILABLE AS SINGLE, DOUBLE, TRIPLE & QUADRUPLE SKIN.
TYPE - CLEAR, DIFFUSED, OPAL, COOL & CLEAR



PLAN



PART SECTION A-A



SECTION A-A

Parts List	
1	FLANGED GLAZING ASSEMBLY
2	OPENING FRAME ASSEMBLY
3	UPSTAND ASSEMBLY
4	MANUAL ACTUATOR KIT

A4

1. All dimensions in mm.
2. Do not scale.
3. This drawing is not to be reproduced wholly or in part, without written consent from Jet Cox Ltd/Coxdome

Title: **Trade Range Manual Opening on 150mm Upstand**

Tolerance: - Scale: **NTS** Date: **2/11/16**

Material: **NTS**

Dm/Ckd By: **RL**

Sheet No: **1 of 1** Drawing No: **011/0004**

Rev: -

Rev	Date	By	Modification
Revision Details			