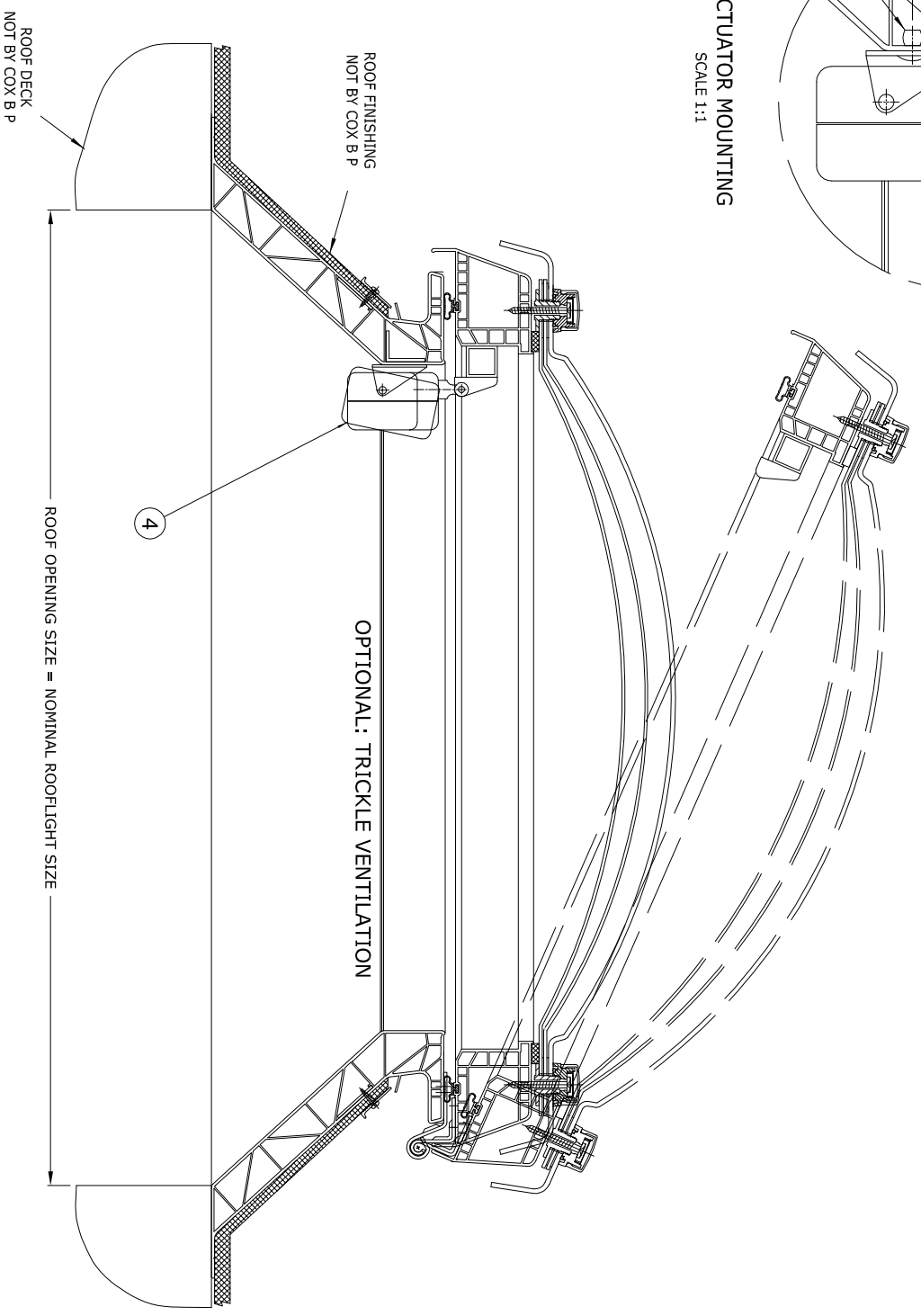
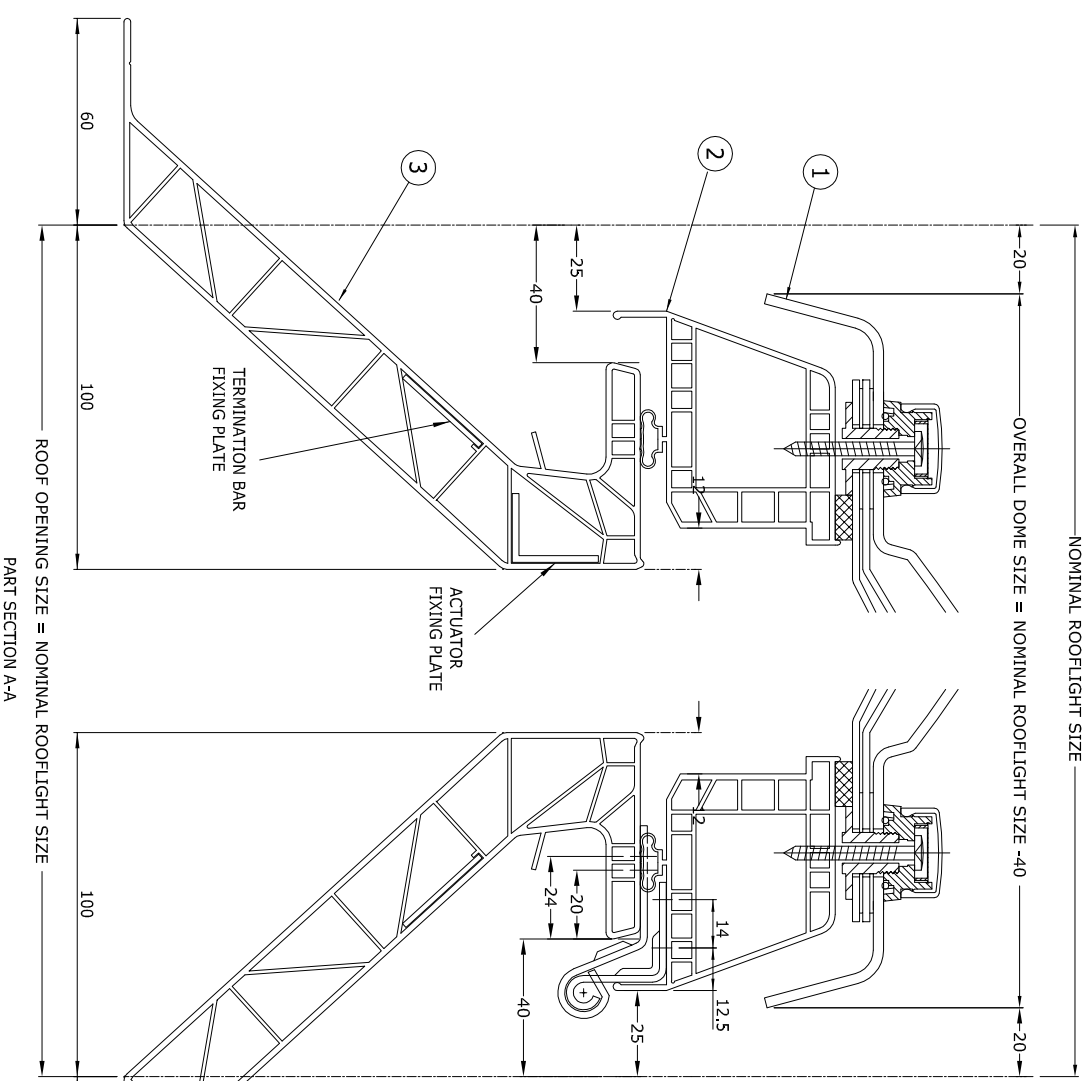


POLYCARBONATE DOMES AVAILABLE AS SINGLE, DOUBLE, TRIPLE & QUADRUPLE SKIN.
TYPE - CLEAR, DIFFUSED, OPAL, COOL & CLEAR



Parts List	
1	FLANGED GLAZING ASSEMBLY
2	OPENING FRAME ASSEMBLY
3	UPSTAND ASSEMBLY
4	ELECTRIC ACTUATOR KIT (CHAIN)

- A4
- All dimensions in mm.
 - Do not scale.
 - This drawing is not to be reproduced wholly or in part without written consent from Jet Cox Ltd/Coxdome

Title: Trade Range Electric Opening on 150mm Upstand		Date: 23/09/16	
Tolerance: -	Scale: NTS	Drawing No: 011/0006	
Material: NTS	Dm/Ckd By: RL	Rev: -	
Sheet No: 1 of 1	Revision Details		

JET COX

CRH House
Unit 1
Prothero Industrial Estate
Blipport Lane
Wednesbury
West Midlands
WS10 0NT
Tel: 0121 530 4230
Web: www.jet-cox.co.uk