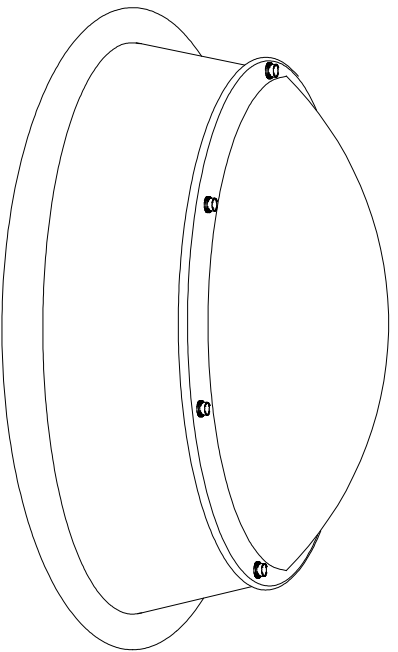
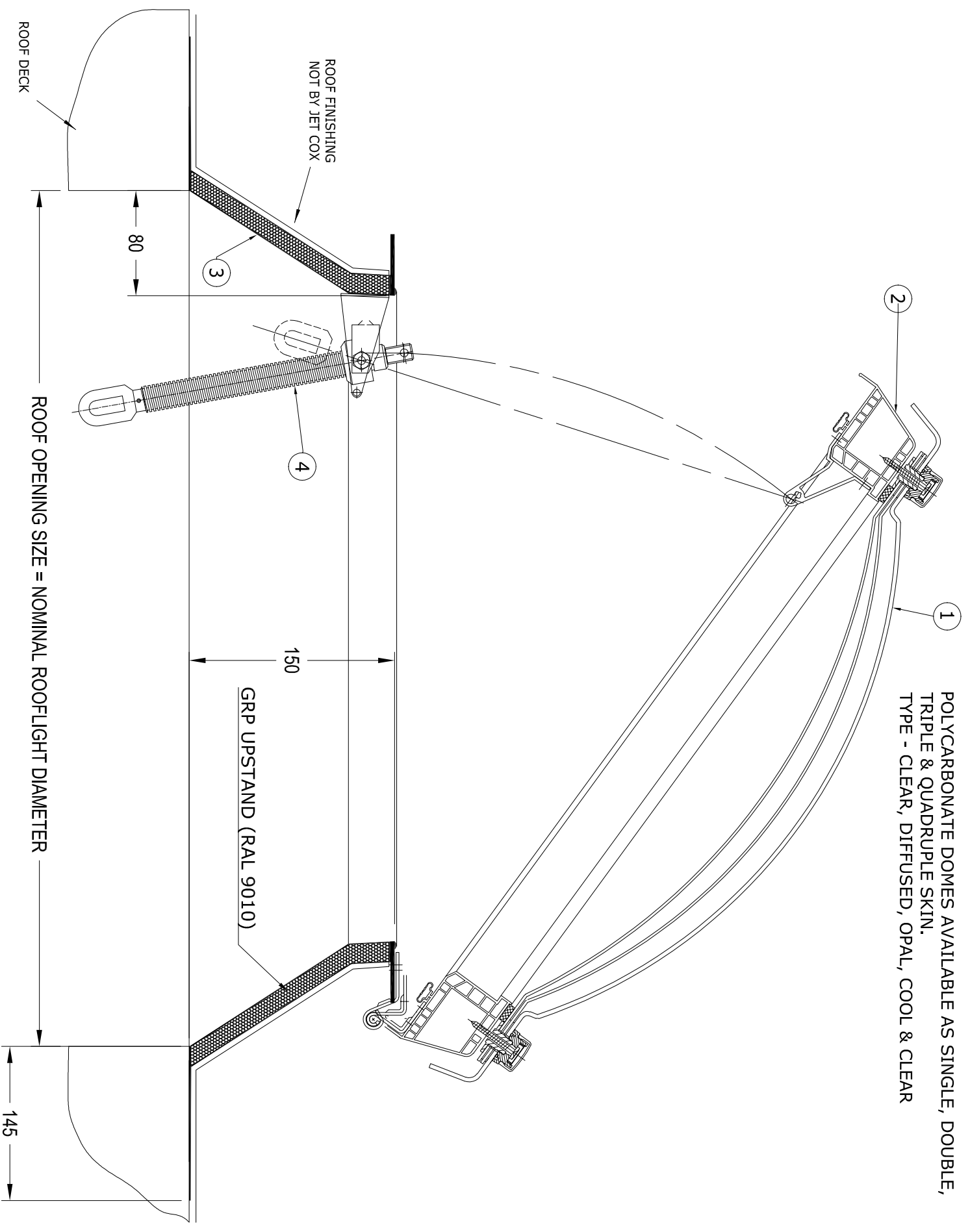


POLYCARBONATE DOMES AVAILABLE AS SINGLE, DOUBLE, TRIPLE & QUADRUPLE SKIN.
TYPE - CLEAR, DIFFUSED, OPAL, COOL & CLEAR



TYPICAL ISOMETRIC VIEW



SECTION

Parts List	
1	FLANGED GLAZING ASSEMBLY
2	OPENING FRAME ASSEMBLY
3	UPSTAND ASSEMBLY
4	MANUAL ACTUATOR KIT

CRH House
Unit 1
Prothero Industrial Estate
Billport Lane
Wednesbury
West Midlands
WS10 0NT
Tel: 0121 530 4230
Web: www.jet-cox.co.uk



Rev	Date	By	Modification

A4
1. All dimensions in mm.
2. Do not scale.
3. This drawing is not to be reproduced wholly or in part, without written consent from Jet Cox Ltd/Coxdome

Title: Trade Range Circular Manual Opening on 150mm Upstand		Scale: NTS		Date: 2/12/16	
Tolerance: -		Material: NTS		Drawing No: 011/0010	
Dm/Ckd By: RL		Rev: -		Sheet No: 1 of 1	