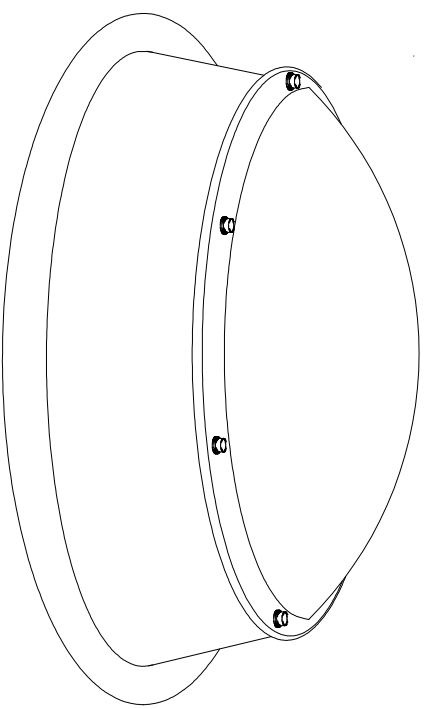
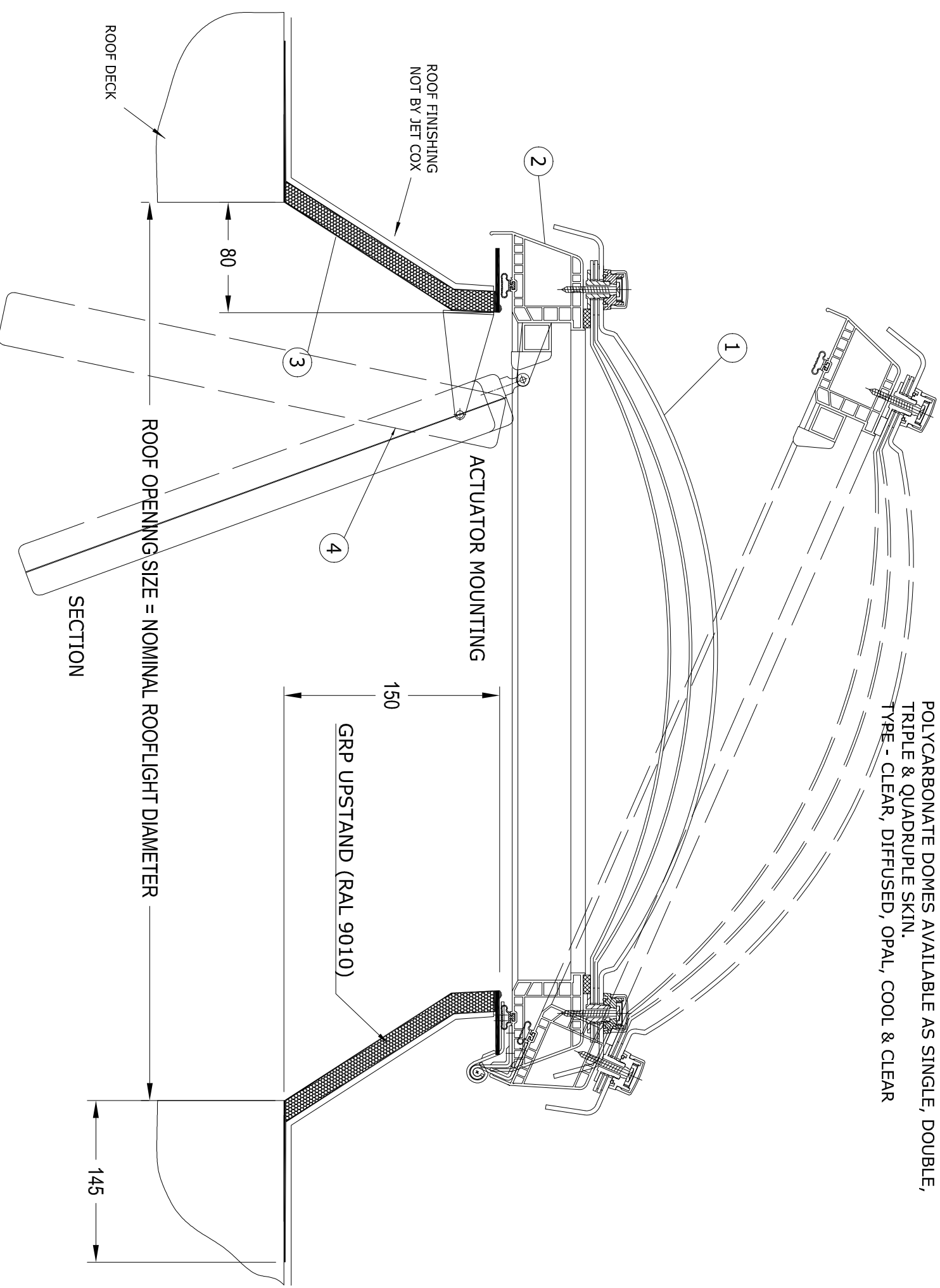


POLYCARBONATE DOMES AVAILABLE AS SINGLE, DOUBLE, TRIPLE & QUADRUPLE SKIN.
TYRE - CLEAR, DIFFUSED, OPAL, COOL & CLEAR



TYPICAL ISOMETRIC VIEW



Parts List	
1	FLANGED GLAZING ASSEMBLY
2	OPENING FRAME ASSEMBLY
3	UPSTAND ASSEMBLY
4	ELECTRIC ACTUATOR KIT

JET COX

CRH House
Unit 1
Prothero Industrial Estate
Billport Lane
Wednesbury
West Midlands
WS10 0NT
Tel: 0121 530 4230
Web: www.jet-cox.co.uk

Rev	Date	By	Modification
A	2/10/16	RL	Actuator detail amended

A4	1. All dimensions in mm. 2. Do not scale. 3. This drawing is not to be reproduced wholly or in part, without written consent from Jet Cox Ltd/Coxdome
----	---

Title: Trade Range Circular Electric Opening on 150mm Upstand		Scale: NTS		Date: 23/09/16		Rev: A	
Tolerance: -		Material: NTS		Dm/Ckd By: RL		Drawing No: 011/0012	
Sheet No: 1 of 1							

Revision Details