



## COXDOME GALAXY RANGE

The Coxdome Galaxy Range is a 'dome-only' solution and has been designed to be fitted to existing builder's kerbs.

The 100mm flanged polycarbonate unit ensures it fits to most kerbs without the need for adjustment.

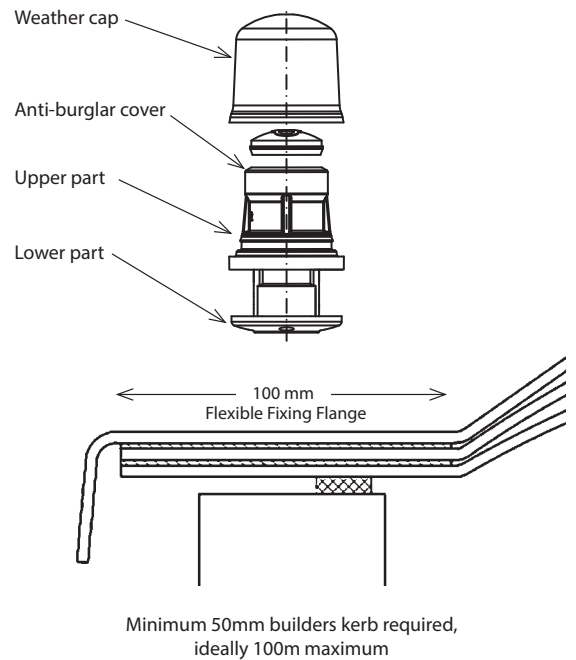
The Galaxy is ideal for refurbishment projects where only the glazing needs replaced.

All Galaxy domes are manufactured using 3mm polycarbonate. 'According to EN 13501-1 2007, 3mm polycarbonate achieves B-s1-d0 and therefore attains Class 1 Certification. TP(a) is realised with a solid polycarbonate sheet minimum 3mm thick.

- **Single, Double, Triple or Quadruple skin**
- **Clear or Diffused**
- **Security Fixings supplied as standard**
- **Easy to install with minimum disturbance**

Please Note: All Galaxy domes are supplied undrilled for maximum flexibility. Pyramids, trapezoids and circular domes are not available in the Galaxy Range.

Galaxy Dome Size (to outer edge of flange)	Min ext kerb	Max ext kerb
600 x 600	510 x 510	610 x 610
600 x 900	510 x 810	610 x 910
600 x 1200	510 x 1120	610 x 1220
600 x 1800	510 x 1730	610 x 1830
750x 750	660 x 660	760 x 760
750 x 900	660 x 810	760 x 910
900 x 900	810 x 810	910 x 910
900 x 1200	810 x 1120	910 x 1220
900 x 1800	810 x 1730	910 x 1830
1050 x 1050	970 x 970	1070 x 1070
1050 x 1500	970 x 1420	1070 x 1520
1200 x 1200	1120 x 1120	1220 x 1220
1200 x 1800	1120 x 1730	1220 x 1830
1200 x 2400	1120 x 2340	1220 x 2440
1500 x 1500	1420 x 1420	1520 x 1520
1800 x 1800	1730 x 1730	1830 x 1830



Please Note:  
The glazing tape between the polycarbonate layers is 100mm and therefore can be visible on builder's kerbs less than 100mm width.